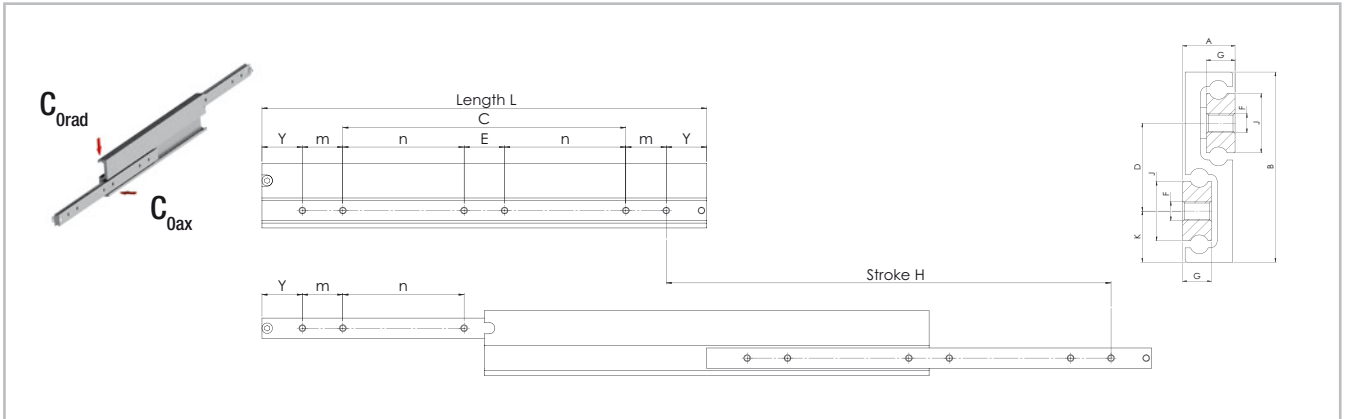


Hegra Rail data sheet HGS100



S-profiles



All dimensions are indicated in mm

| Type | Size | Length | Stroke | Load capacity per pair C_{0rad} [N] | Y | m | n | E | C | Number of holes | | | |
|------|------|--------|--------|--|-----|-----|---|---|---|-----------------|----|-----|-----|
| | | L [mm] | H [mm] | | | | | | | | | | |
| HGS | 100 | 400 | 400 | 3200 | 50 | 50 | | | | 4 | | | |
| | | 450 | 450 | 3500 | | | | | | | - | - | 200 |
| | | 500 | 500 | 3600 | | | | | | | | | 250 |
| | | 550 | 550 | 3600 | | | | | | | | | 300 |
| | | 600 | 600 | 3550 | | | | | | | | 150 | 6 |
| | | 650 | 650 | 3450 | | | | | | | | 175 | |
| | | 700 | 700 | 3300 | | | | | | | | 200 | |
| | | 750 | 750 | 3150 | | | | | | | | 225 | |
| | | 800 | 800 | 3000 | | | | | | | | 250 | |
| | | 850 | 850 | 2850 | | | | | | | | 275 | |
| | | 900 | 900 | 2700 | | | | | | | 50 | 300 | |
| | | 950 | 950 | 2550 | | | | | | | | 325 | |
| | | 1000 | 1000 | 2400 | | | | | | | | 350 | |
| | | 1100 | 1100 | 2250 | | | | | | | | 375 | |
| | | 1200 | 1200 | 2100 | | | | | | | | 425 | |
| | | 1300 | 1300 | 1950 | | | | | | | | 475 | |
| 1400 | 1400 | 1850 | | | 525 | | | | | | | | |
| 1500 | 1500 | 1600 | | | 575 | | | | | | | | |
| | | | | | | 625 | | | | | | | |

The load capacity for aluminum is 40% and for stainless steel 60% of the stated values, if available in this material variant.

| Type | Size | A | B | J | G | K | D | F | Weight |
|------|------|----|-----|----|----|----|----|----|-----------------|
| HGS | 100 | 24 | 100 | 32 | 12 | 26 | 48 | M8 | 14.20 [kg/m] |