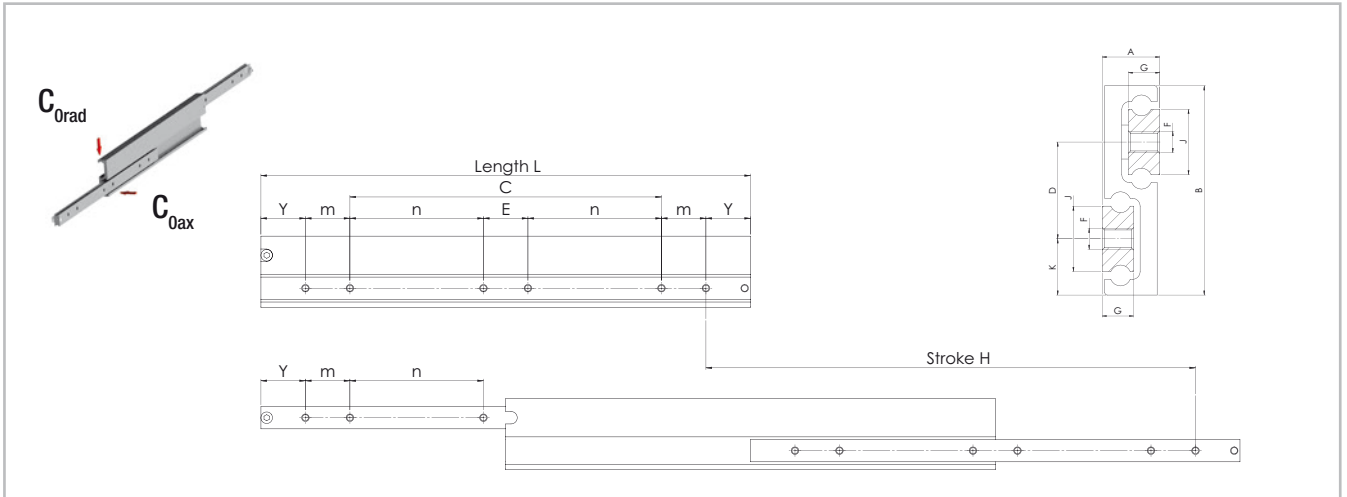


Hegra Rail data sheet HGS080



S-profiles



All dimensions are indicated in mm

Type	Size	Length	Stroke	Load capacity per pair C_{0rad} [N]	Y	m	n	E	C	Number of holes
		L [mm]	H [mm]							
HGS	80	250	250	1600	50	50	-	-	50	4
		300	300	2000					100	
		350	350	2200					150	
		400	400	2350					200	
		450	450	2450					250	
		500	500	2450					300	
		550	550	2450	150	50	-	6		
		600	600	2400	175					
		650	650	2300	200					
		700	700	2200	225					
		750	750	2100	250					
		800	800	2000	275					
		850	850	1900	300					
		900	900	1800	325					
		950	950	1650	350					
		1000	1000	1500	375					

The load capacity for aluminum is 40% and for stainless steel 60% of the stated values, if available in this material variant.

Type	Size	A	B	J	G	K	D	F	Weight [kg/m]
HGS	80	22	80	25	12	21.5	37	M8	10.50