

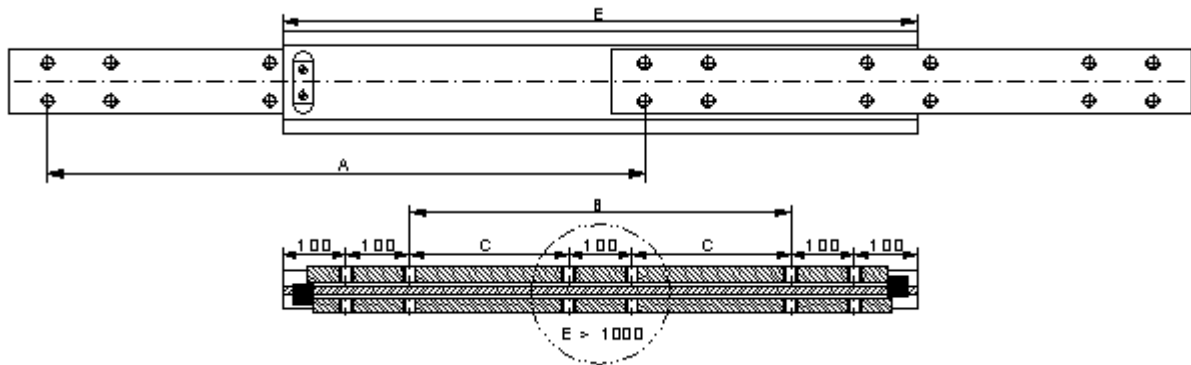
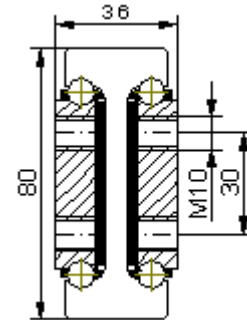
## telescopic slide HGTS80

### basic type:

- stainless steel
- part extension
- side mounting
- fixing holes

### costum-made product:

- special lengths
- holes / hole center distances
- additional mounting elements
- combinations



installation length	length		hole pattern		weight	travel length	load rating per pair
	B	C	1	2			
E	B	C	1	2	Kg	A	Kg
500	100		8	8	8,8	500	540
550	150		8	8	9,6	550	555
600	200		8	8	10,5	600	570
650	250		8	8	11,4	650	555
700	300		8	8	12,3	700	540
750	350		8	8	13,1	750	525
800	400		8	8	14,0	800	510
850	450		8	8	14,9	850	495
900	500		8	8	15,8	900	480
950	550		8	8	16,6	950	465
1000	600		8	8	17,5	1000	450

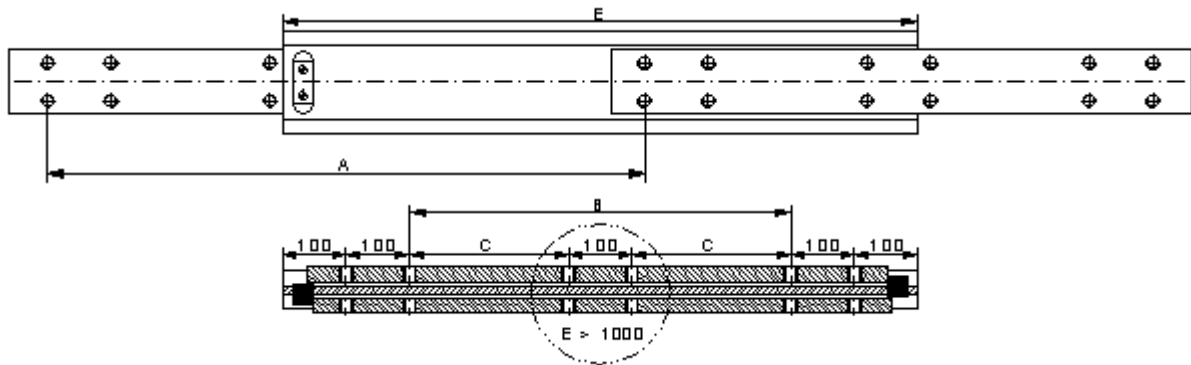
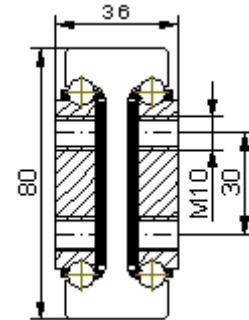
## telescopic slide HGTS80

### basic type:

- stainless steel
- part extension
- side mounting
- fixing holes

### costum-made product:

- special lengths
- holes / hole center distances
- additional mounting elements
- combinations



installation length	length		hole pattern		weight	travel length	load rating per pair
	B	C	1	2			
E					Kg	A	Kg
1100		300	12	12	19,3	1100	420
1200		350	12	12	21,0	1200	390
1300		400	12	12	22,8	1300	360
1400		450	12	12	24,5	1400	330
1500		500	12	12	26,3	1500	300
1600		550	12	12	28,0	1600	270
1700		600	12	12	29,8	1700	240
1800		650	12	12	31,5	1800	210
1900		700	12	12	33,3	1900	180
2000		750	12	12	35,0	2000	150