

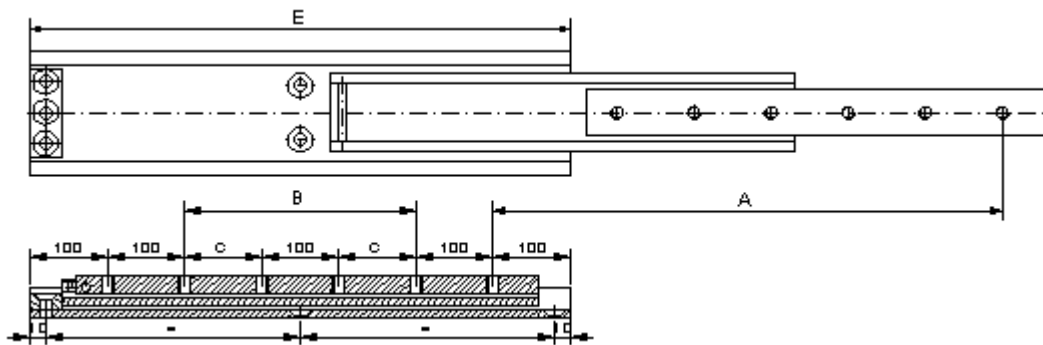
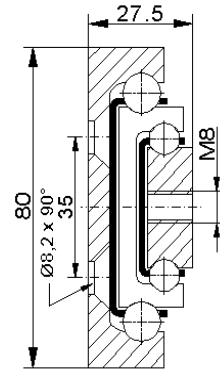
telescopic slide HGS80

basic type:

- stainless steel
- part extension
- side mounting
- fixing holes

costum-made product:

- special lengths
- holes / hole center distances
- additional mounting elements
- combinations



installation length	length				hole pattern		weight	travel length	load rating per pair
	2	3	B	C	1	3			
E	2	3	B	C	1	3	Kg	A	Kg
500	460	450	100		4	4	5,70	500	220
550	510	500	150		4	4	6,27	550	225
600	560	550	200		6	4	6,84	600	230
650	610	600	250		6	4	7,41	650	235
700	660	650	300		6	4	8,0	700	230
750	710	700	350		6	4	8,55	750	225
800	760	750		150	6	6	9,12	800	220
850	810	800		175	6	6	9,7	850	215
900	860	850		200	6	6	10,3	900	210
1000	960	950		250	6	6	11,4	1000	195

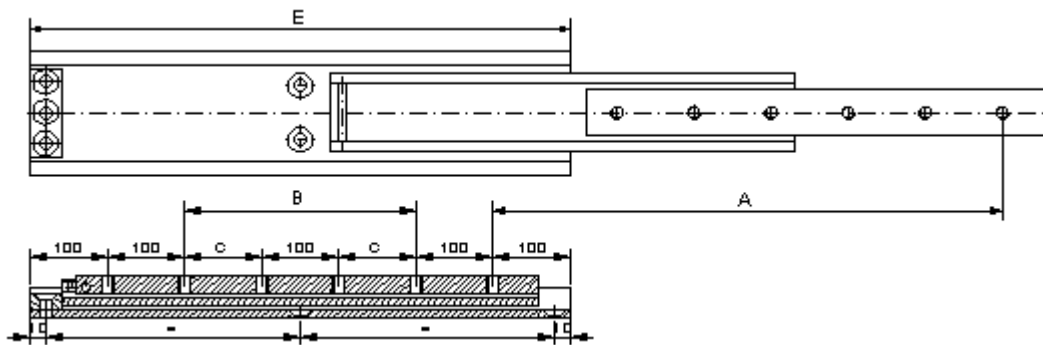
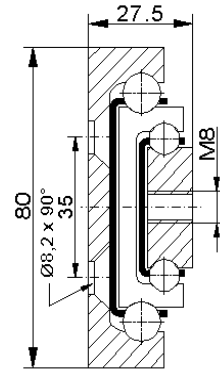
telescopic slide HGS80

basic type:

- stainless steel
- part extension
- side mounting
- fixing holes

custom-made product:

- special lengths
- holes / hole center distances
- additional mounting elements
- combinations



installation length	length				hole pattern		weight	travel length	load rating per pair	
	E	2	3	B	C	1				3
1100	1060	1050			300	6	6	12,5	1100	188
1200	1160	1150			350	6	6	13,7	1200	180
1300	1260	1250			400	6	6	14,8	1300	170
1400	1360	1350			450	6	6	15,9	1400	160
1500	1460	1450			500	6	6	17,1	1500	150
1600	1560	1550			550	6	6	18,2	1600	140
1700	1660	1650			600	6	6	19,4	1700	130
1800	1760	1750			650	6	6	20,5	1800	120
1900	1860	1850			700	6	6	21,6	1900	110
2000	1960	1950			750	6	6	22,8	2000	95