

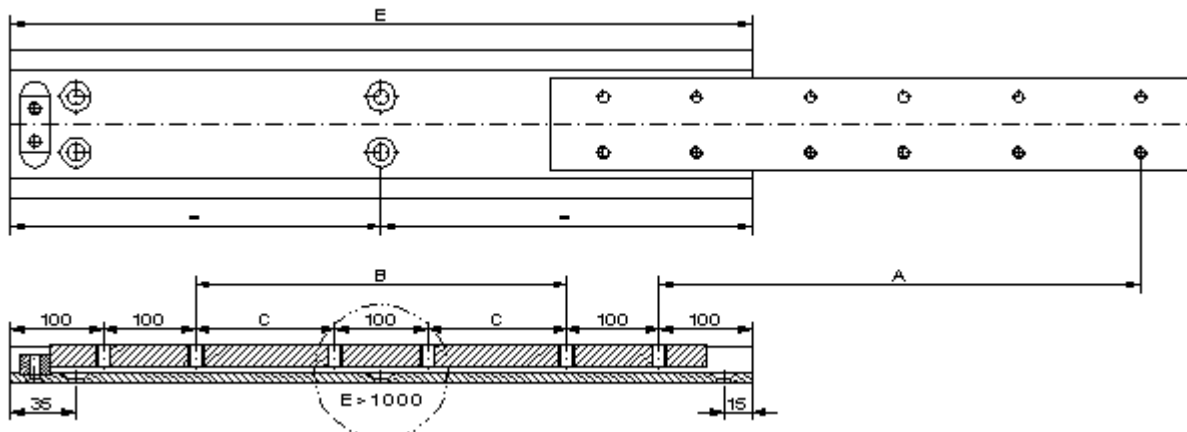
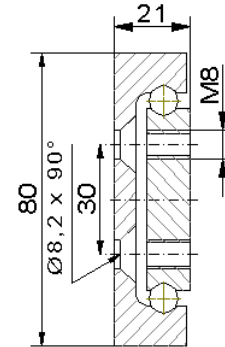
telescopic slide HGS8

basic type:

- stainless steel
- part extension
- side mounting
- fixing holes

costum-made product:

- special lengths
- holes / hole center distances
- additional mounting elements
- combinations



installation length	length		hole pattern		weight	travel length	load rating per pair	
	E	B	C	3				5
500		100		4	8	5,2	300	270
550		150		4	8	5,7	330	285
600		200		4	8	6,2	360	300
650		250		4	8	6,7	390	294
700		300		4	8	7,3	420	288
750		350		4	8	7,7	450	282
800		400		4	8	8,3	480	276
850		450		4	8	8,8	510	270
900		500		4	8	9,3	540	264
1000		600		6	12	10,4	600	246

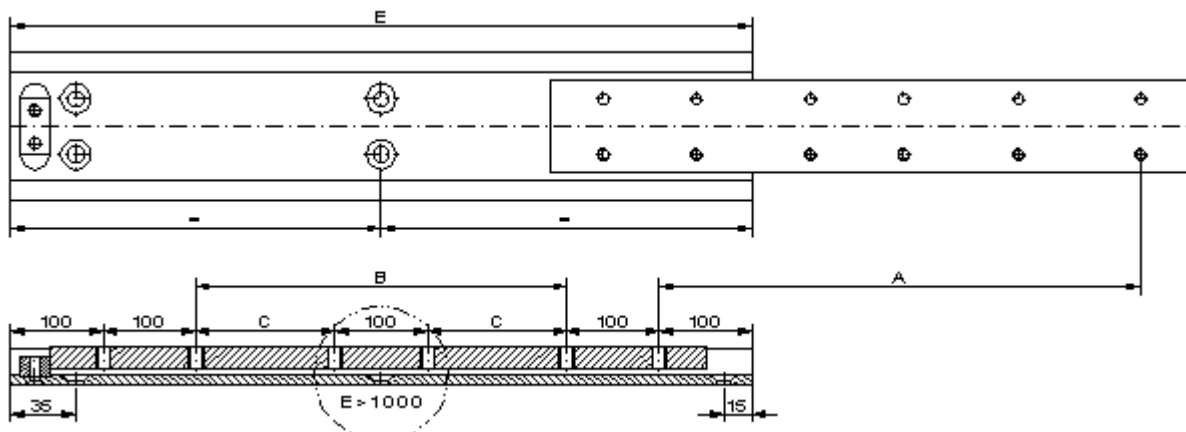
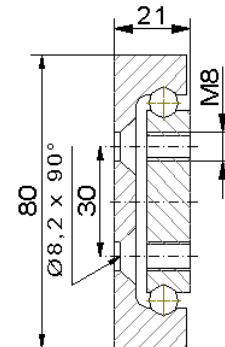
telescopic slide HGS8

basic type:

- stainless steel
- part extension
- side mounting
- fixing holes

costum-made product:

- special lengths
- holes / hole center distances
- additional mounting elements
- combinations



installation length	length		hole pattern		weight	travel length	load rating per pair	
	E	B	C	3				5
1100			300	6	12	11,4	650	228
1200			350	6	12	12,4	720	210
1300			400	6	12	13,5	780	192
1400			450	6	12	14,5	840	174
1500			500	6	12	15,6	900	156
1600			550	6	12	16,6	960	132