

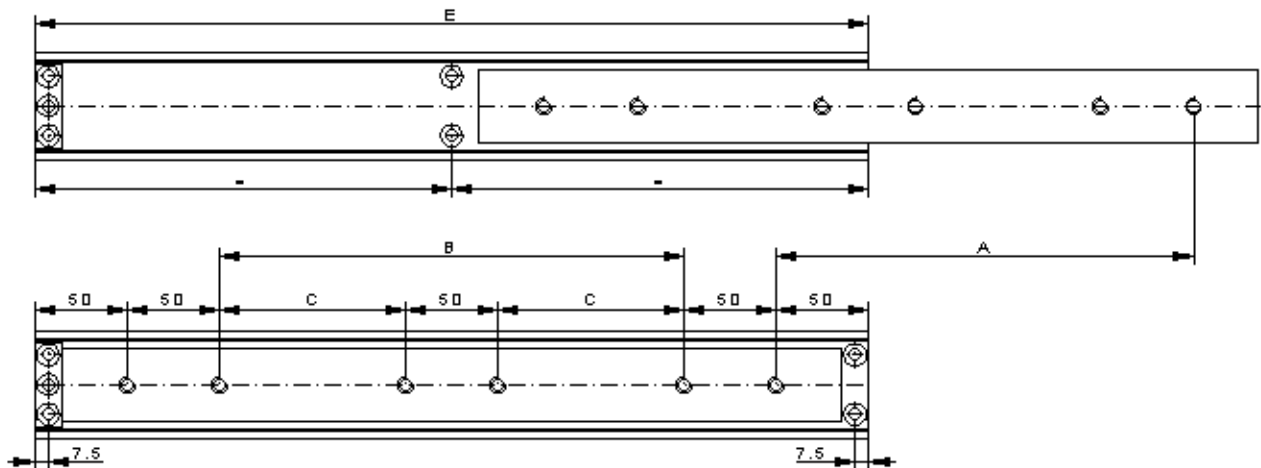
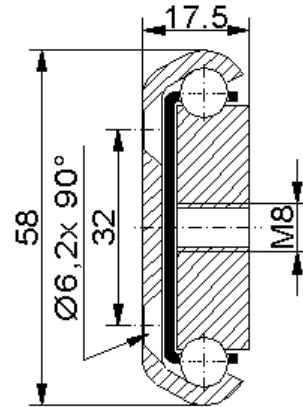
telescopic slide HGS58T

basic type:

- stainless steel
- part extension
- side mounting
- fixing holes

costum-made product:

- special lengths
- holes / hole center distances
- additional mounting elements
- combinations



installation length	length			hole pattern		weight	travel length	load rating per pair
	E	B	C	1	2			
300	270	100		4	4	2,12	180	132
350	320	150		4	4	2,47	230	138
400	370	200		4	4	2,82	260	144
450	420	250		4	4	3,18	310	150
500	470	300		4	4	3,53	340	147
550	520		150	6	6	3,88	370	144
600	570		175	6	6	4,24	400	141
650	620		200	6	6	4,6	430	138
700	670		225	6	6	4,95	460	132
750	720		250	6	6	5,3	490	126

