

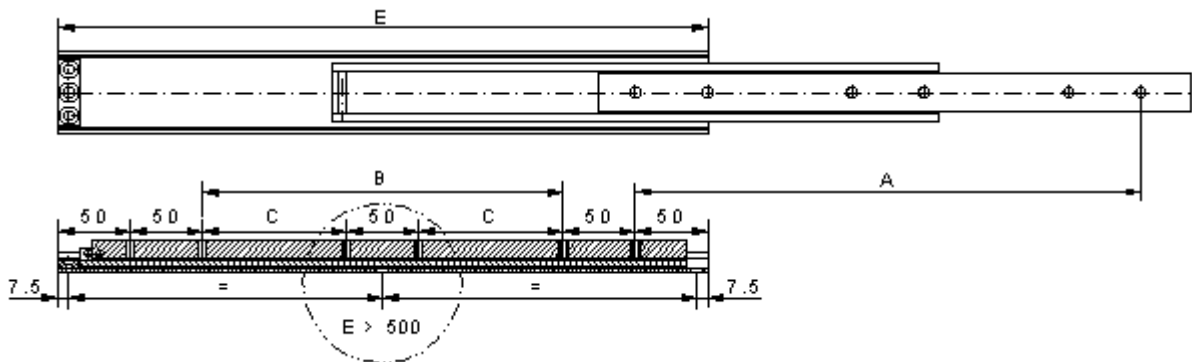
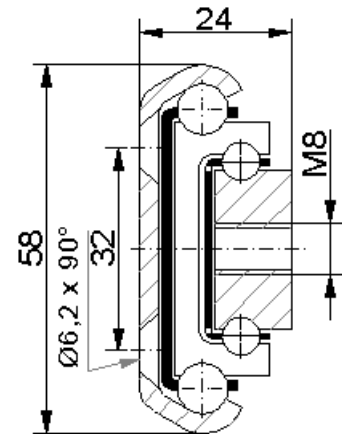
telescopic slide HGS58

basic type:

- stainless steel
- part extension
- side mounting
- fixing holes

costum-made product:

- special lengths
- holes / hole center distances
- additional mounting elements
- combinations



installation length	length				hole pattern		weight	travel length	load rating per pair
	2	3	B	C	1	3			
E	2	3	B	C	1	3	Kg	A	Kg
300	270	260	100		4	4	1,93	300	120
350	320	310	150		4	4	2,26	350	123
400	370	360	200		4	4	2,58	400	126
450	420	410	250		4	4	2,90	450	123
500	470	460	300		4	4	3,22	500	120
550	520	510		150	6	6	3,55	550	117
600	570	560		175	6	6	3,86	600	114
650	620	610		200	6	6	4,19	650	110
700	670	660		225	6	6	4,51	700	108
750	720	710		250	6	6	4,83	750	105

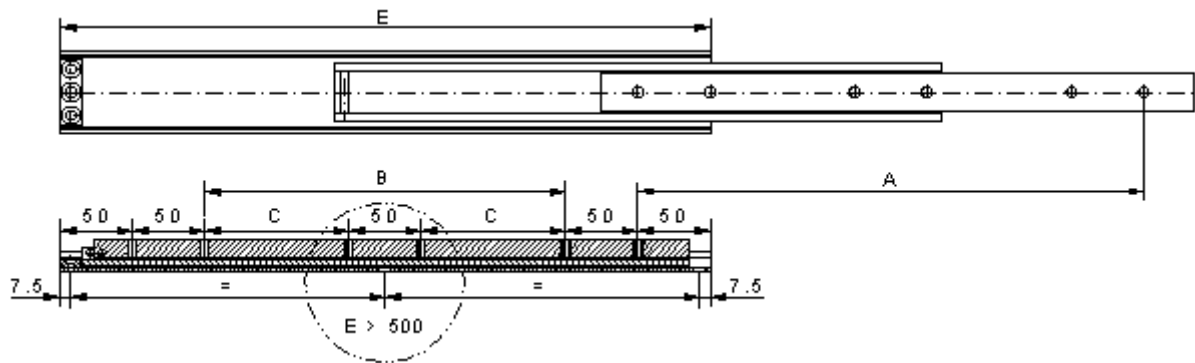
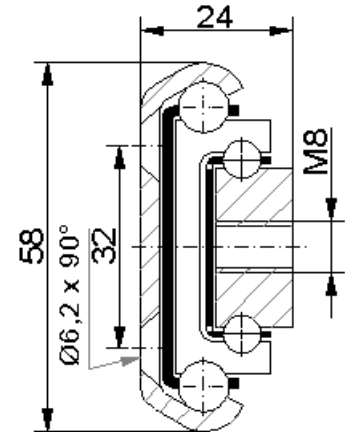
telescopic slide HGS58

basic type:

- stainless steel
- part extension
- side mounting
- fixing holes

costum-made product:

- special lengths
- holes / hole center distances
- additional mounting elements
- combinations



installation length	length				hole pattern		weight	travel length	load rating per pair
	2	3	B	C	1	3			
E	2	3	B	C	1	3	Kg	A	Kg
800	770	760		275	6	6	5,15	800	102
850	820	810		300	6	6	5,48	850	99
900	870	860		325	6	6	5,80	900	96
950	920	910		350	6	6	6,12	950	93
1000	970	960		375	6	6	6,45	1000	90
1100	1070	1060		425	6	6	7,09	1100	84
1200	1170	1160		475	6	6	7,73	1200	78
1300	1270	1260		525	6	6	8,38	1300	72
1400	1370	1360		575	6	6	9,02	1400	65
1500	1470	1460		625	6	6	9,67	1500	60