

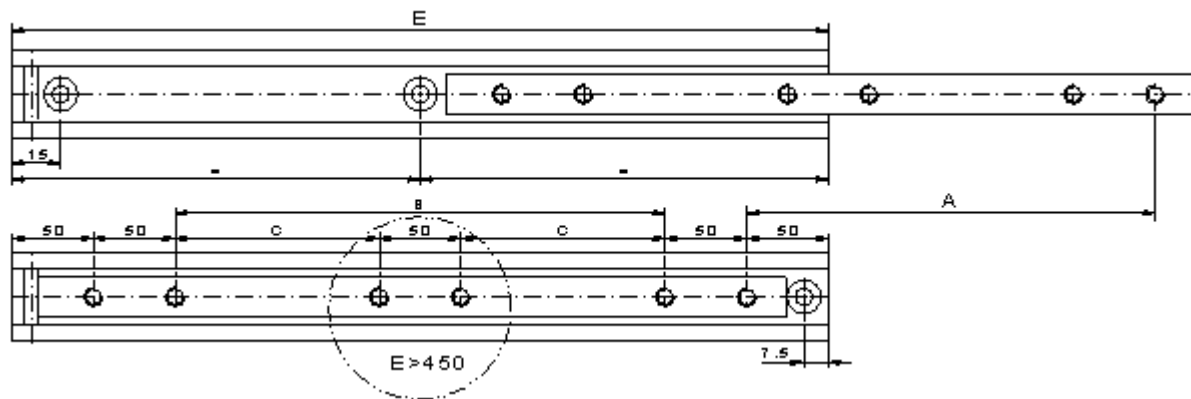
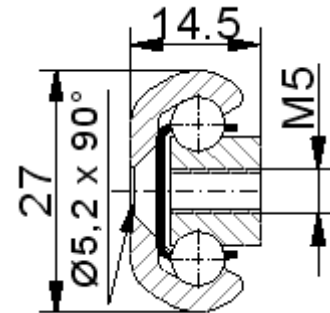
telescopic slide HGS26T

basic type:

- stainless steel
- part extension
- side mounting
- fixing holes

costum-made product:

- special lengths
- holes / hole center distances
- additional mounting elements
- combinations



installation length	length			hole pattern		weight	travel length	load rating per pair	
	E	2	B	C	1				2
200	179	100			2	2	0,37	110	52
250	229	50			3	4	0,46	130	56
300	279	100			3	4	0,55	180	60
350	329	150			3	4	0,65	230	60
400	379	200			3	4	0,74	260	56
450	429	250			3	4	0,83	310	52
500	479		125		3	6	0,92	340	48
550	529		150		3	6	1,00	370	44
600	579		175		3	6	1,16	400	40
650	629		200		3	6	1,20	430	36
700	679		225		3	6	1,30	460	32