

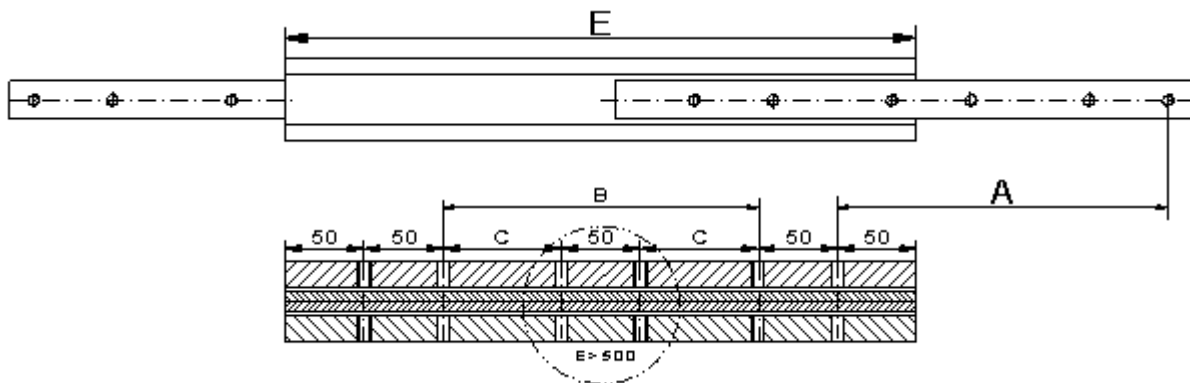
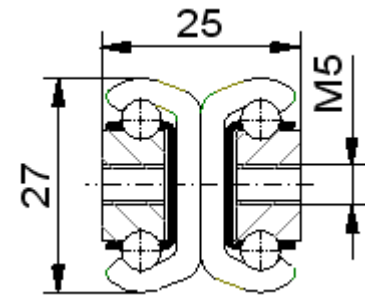
telescopic slide HGS26DC

basic type:

- stainless steel
- full extension
- side mounting
- fixing holes

costum-made product:

- special lengths
- holes / hole center distances
- additional mounting elements
- combinations



installation length	length		hole pattern		weight	travel length	load rating per pair
	B	C	1	2			
E			1	2	Kg	A	Kg
200			3	3	0,73	200	50
250	50		4	4	0,92	250	53
300	100		4	4	1,10	300	57
350	150		4	4	1,28	350	60
400	200		4	4	1,47	400	57
450	250		4	4	1,65	450	54
500	300		4	4	1,83	500	50
550		150	6	6	2,00	550	47
600		175	6	6	2,20	600	43
650		200	6	6	2,38	650	39
700		225	6	6	2,57	700	36