

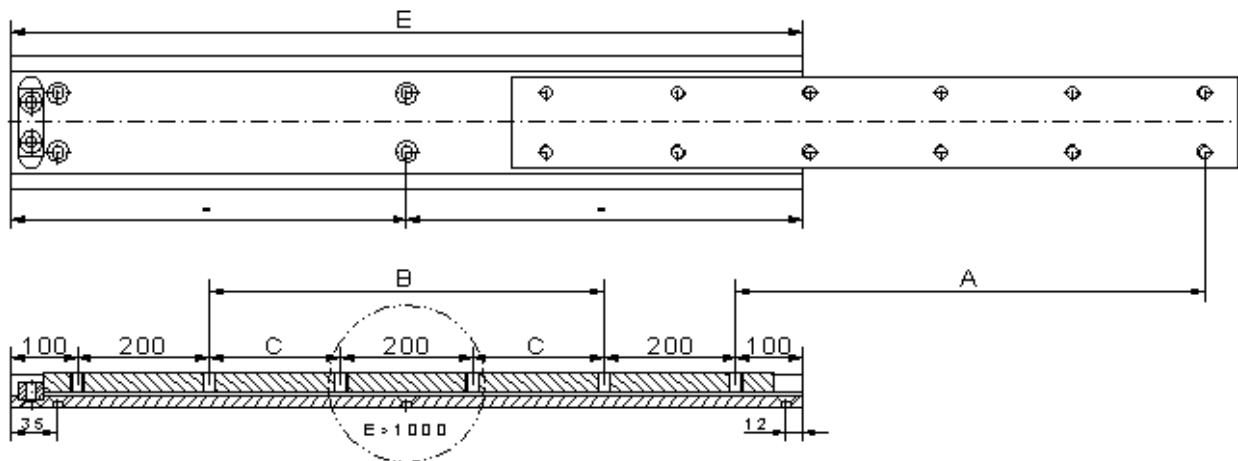
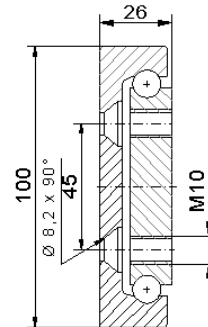
## telescopic slide HGS10

### basic type:

- stainless steel
- part extension
- side mounting
- fixing holes

### costum-made product:

- special lengths
- holes / hole center distances
- additional mounting elements
- combinations



installation length	length		hole pattern		weight	travel length	load rating per pair
	B	C	1	2			
E	B	C	1	2	Kg	A	Kg
700	100		4	8	11,9	420	540
800	200		4	8	13,6	480	600
900	300		4	8	15,3	540	570
1000	400		4	8	17,0	600	540
1100		100	6	12	18,7	660	510
1200		200	6	12	20,4	720	480
1300		250	6	12	22,1	780	450
1400		300	6	12	23,8	840	414
1500		350	6	12	25,5	900	378
1600		400	6	12	27,2	960	342
1700		450	6	12	28,9	1020	306
1800		500	6	12	30,6	1080	270