

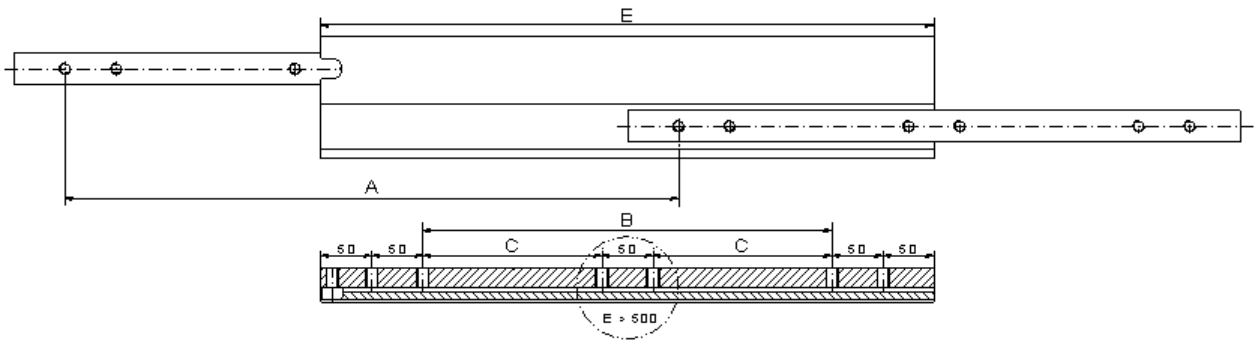
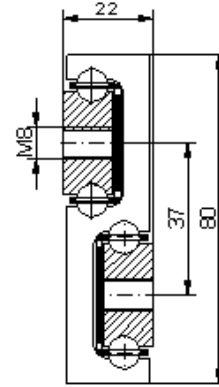
telescopic slide HGDS80

basic type:

- side mounting
- full extension
- zinc-plated steel
- fixing holes

costum-made product:

- special lengths
- holes / hole center distances
- additional mounting elements
- combinations



installation length	length		hole pattern		weight	travel length	load rating per pair
	E	B	C	1			
300	100		4	4	3,15	300	220
350	150		4	4	3,70	350	230
400	200		4	4	4,20	400	240
450	250		4	4	4,70	450	245
500	300		4	4	5,25	500	250
550		150	6	6	5,80	550	245
600		175	6	6	6,30	600	240
650		200	6	6	6,80	650	230
700		225	6	6	7,35	700	220
750		250	6	6	7,90	750	210
800		275	6	6	8,40	800	200