

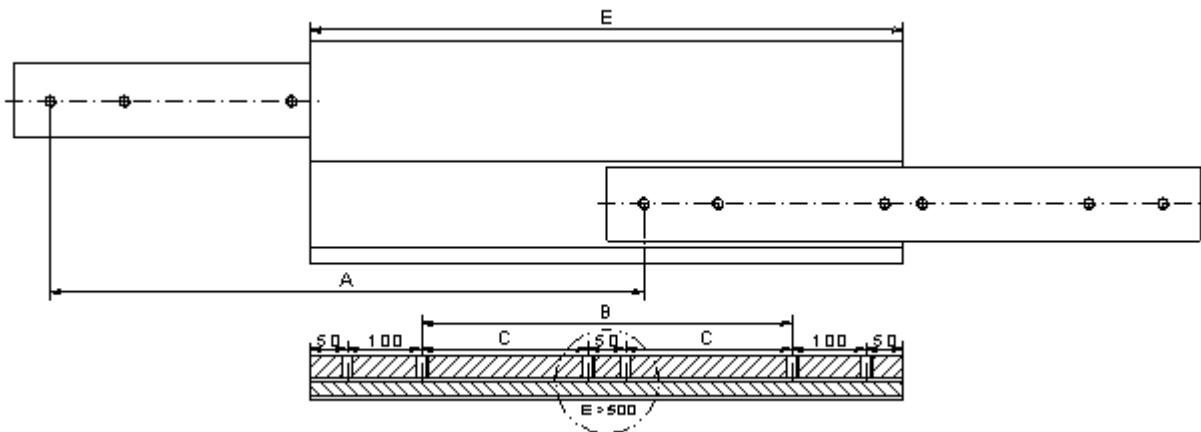
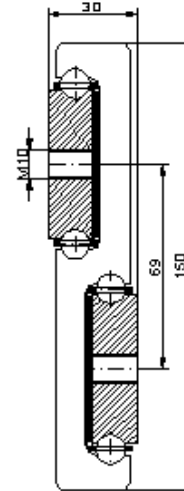
telescopic slide HGDS150

basic type:

- side mounting
- full extension
- zinc-plated steel
- fixing holes

costum-made product:

- special lengths
- holes / hole center distances
- additional mounting elements
- combinations



installation length	length		hole pattern		weight	travel length	load rating per pair
	B	C	1	2			
E	B	C	1	2	Kg	A	Kg
400	100		4	4	10,9	400	420
450	150		4	4	12,3	450	430
500	200		4	4	13,6	500	440
550		100	6	6	15,0	550	450
600		125	6	6	16,4	600	445
650		150	6	6	17,7	650	440
700		175	6	6	19,1	700	435
750		200	6	6	20,5	750	430
800		225	6	6	21,8	800	425

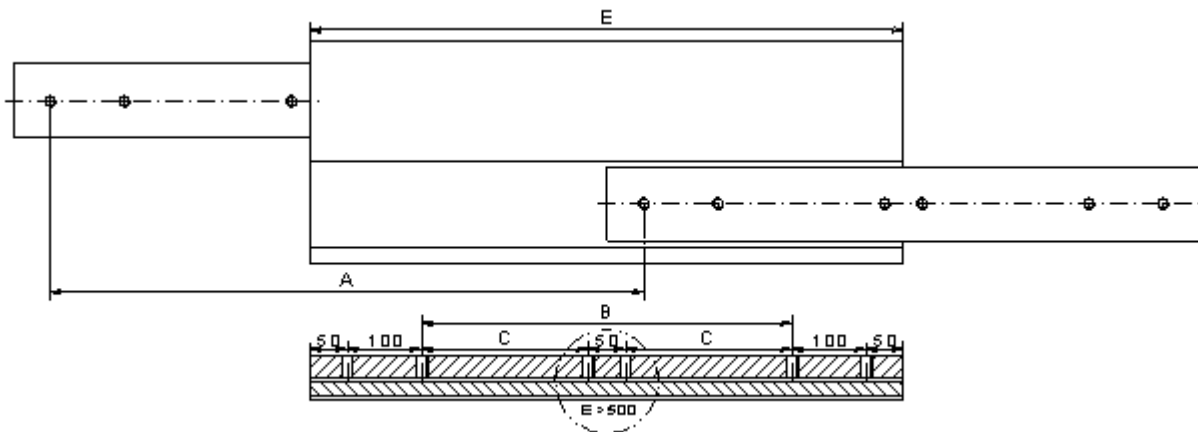
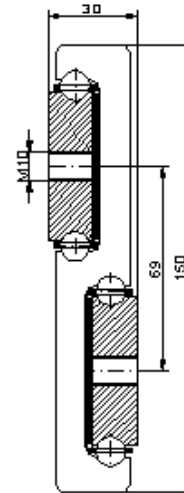
telescopic slide HGDS150

basic type:

- side mounting
- full extension
- zinc-plated steel
- fixing holes

costum-made product:

- special lengths
- holes / hole center distances
- additional mounting elements
- combinations



installation length	length		hole pattern		weight	travel length	load rating per pair
	B	C	1	2			
E					Kg	A	Kg
850		250	6	6	23,2	850	420
900		275	6	6	24,6	900	415
1000		325	6	6	27,3	1000	400
1100		375	6	6	30,0	1100	385
1200		425	6	6	32,7	1200	370
1300		475	6	6	35,5	1300	355
1400		525	6	6	38,2	1400	340
1500		575	6	6	40,9	1500	320