

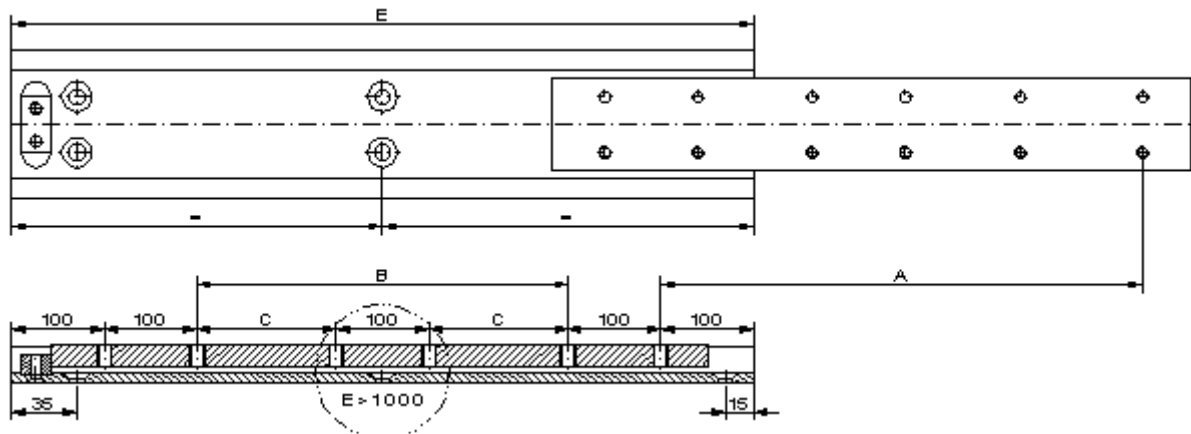
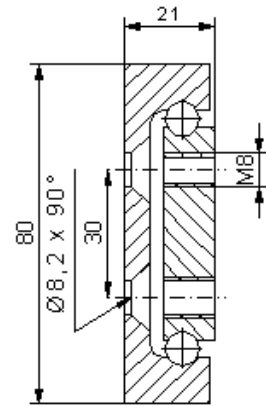
## telescopic slide HG8

### basic type:

- side mounting
- part extension
- zinc-plated steel
- fixing holes

### costum-made product:

- special lengths
- holes / hole center distances
- additional mounting elements
- combinations



Instalation length	Length			hole pattern		Weigt	Travel length	Load ratin per pair
	E	B	C	1	2			
500	455	100		4	8	5,2	300	450
550	505	150		4	8	5,7	330	475
600	555	200		4	8	6,2	360	500
650	605	250		4	8	6,7	390	490
700	655	300		4	8	7,3	420	480
750	705	350		4	8	7,7	450	470
800	755	400		4	8	8,3	480	460
850	805	450		4	8	8,8	510	450
900	855	500		4	8	9,3	540	440
1000	955	600		6	12	10,4	600	410

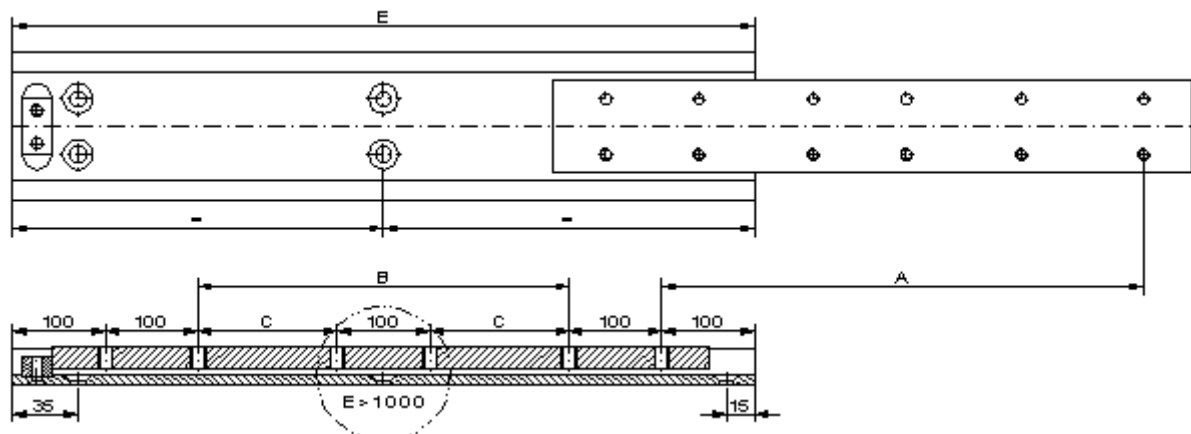
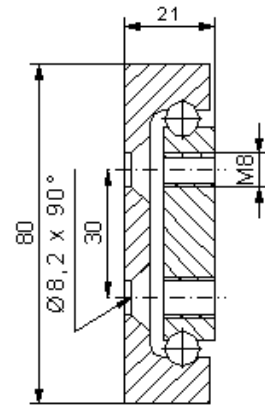
## telescopic slide HG8

### basic type:

- side mounting
- part extension
- zinc-plated steel
- fixing holes

### costum-made product:

- special lengths
- holes / hole center distances
- additional mounting elements
- combinations



Instalation length	Length			hole pattern		Weigt Kg	Travel length A	Load ratin per pair Kg
	E	2	B	C	1			
1100	1055		300	6	12	11,4	660	380
1200	1155		350	6	12	12,4	720	350
1300	1255		400	6	12	13,5	780	320
1400	1355		450	6	12	14,5	840	290
1500	1455		500	6	12	15,6	900	260
1600	1555		550	6	12	16,6	960	220