

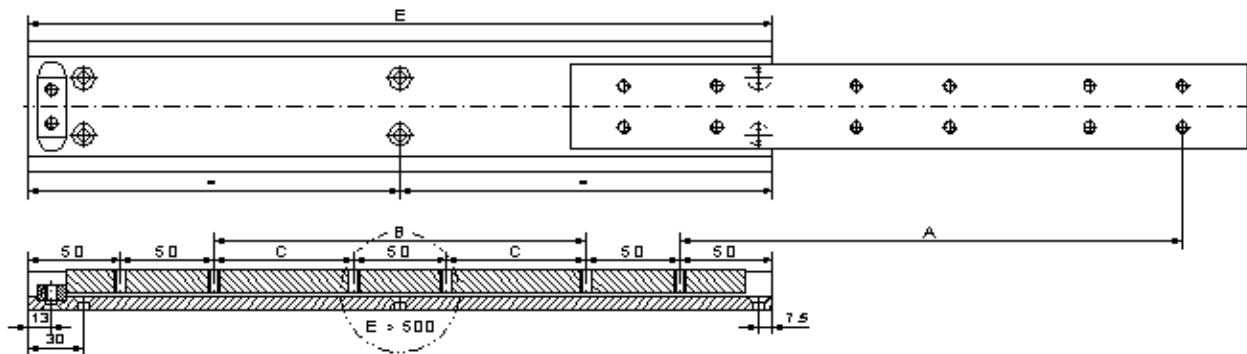
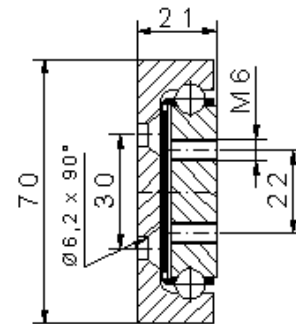
telescopic slide HG7

basic type:

- side mounting
- part extension
- zinc-plated steel
- fixing holes

costum-made product:

- special lengths
- holes / hole center distances
- additional mounting elements
- combinations



| installation length | Length | | | hole pattern | | weight | travel length | load rating per pair |
|---------------------|--------|-----|-----|--------------|----|--------|---------------|----------------------|
| | E | B | C | 3 | 4 | | | |
| 300 | 264 | 100 | | 4 | 8 | 2,7 | 180 | 400 |
| 350 | 314 | 150 | | 4 | 8 | 3,2 | 210 | 405 |
| 400 | 364 | 200 | | 4 | 8 | 3,6 | 240 | 410 |
| 450 | 414 | 250 | | 4 | 8 | 4,0 | 270 | 415 |
| 500 | 464 | 300 | | 4 | 8 | 4,5 | 300 | 420 |
| 550 | 514 | | 150 | 6 | 12 | 5,0 | 330 | 415 |
| 600 | 564 | | 175 | 6 | 12 | 5,5 | 360 | 410 |
| 650 | 614 | | 200 | 6 | 12 | 6,0 | 390 | 405 |
| 700 | 664 | | 225 | 6 | 12 | 6,45 | 420 | 400 |
| 750 | 714 | | 250 | 6 | 12 | 6,9 | 450 | 390 |
| 800 | 764 | | 275 | 6 | 12 | 7,35 | 480 | 380 |
| 850 | 814 | | 300 | 6 | 12 | 7,8 | 510 | 370 |
| 900 | 864 | | 325 | 6 | 12 | 8,3 | 540 | 360 |
| 1000 | 964 | | 375 | 6 | 12 | 9,2 | 600 | 330 |

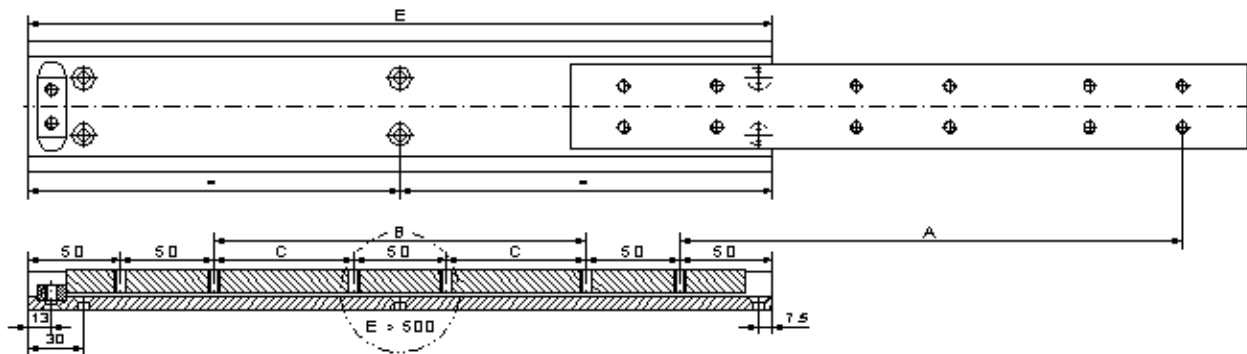
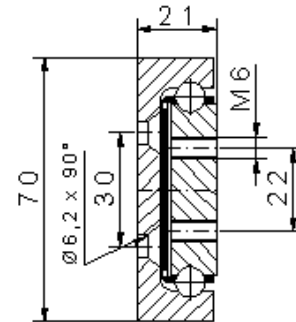
telescopic slide HG7

basic type:

- side mounting
- part extension
- zinc-plated steel
- fixing holes

costum-made product:

- special lengths
- holes / hole center distances
- additional mounting elements
- combinations



| installation length | Length | | | hole pattern | | weight | travel length | load rating per pair |
|---------------------|--------|---|-----|--------------|----|--------|---------------|----------------------|
| | 2 | B | C | 3 | 4 | | | |
| E | | | | | | Kg | A | Kg |
| 1100 | 1064 | | 425 | 6 | 12 | 10,2 | 660 | 310 |
| 1200 | 1164 | | 475 | 6 | 12 | 11,0 | 720 | 290 |
| 1300 | 1264 | | 525 | 6 | 12 | 12,0 | 780 | 270 |
| 1400 | 1364 | | 575 | 6 | 12 | 12,9 | 840 | 240 |
| 1500 | 1564 | | 625 | 6 | 12 | 13,8 | 900 | 210 |