

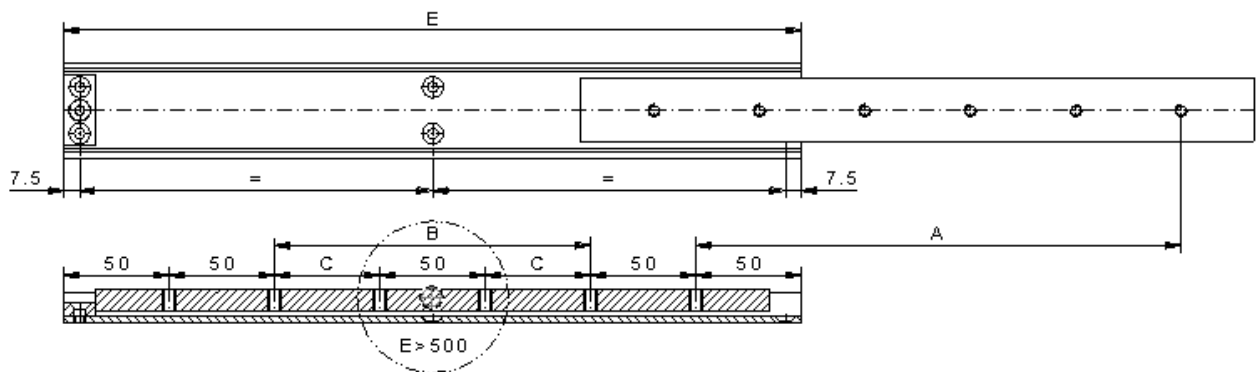
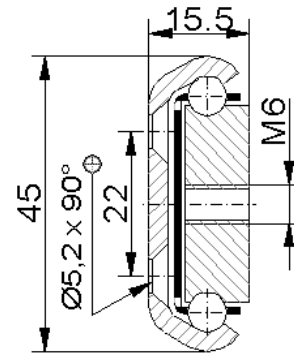
telescopic slide HG45T

basic type:

- side mounting
- part extension
- zinc-plated steel
- fixing holes

costum-made product:

- special lengths
- holes / hole center distances
- additional mounting elements
- combinations



installation length	length			hole pattern		weight	travel length	load rating per pair
	2	B	C	1	2			
E	2	B	C	1	2	Kg	A	Kg
250	220	50		4	4	0,93	130	120
300	270	100		4	4	1,1	180	125
350	320	150		4	4	1,3	230	130
400	370	200		4	4	1,5	260	125
450	420	250		4	4	1,68	310	120
500	470	300		4	4	1,86	340	115
550	520		150	6	6	2,05	370	110
600	570		175	6	6	2,24	400	105
650	620		200	6	6	2,42	430	100
700	670		225	6	6	2,6	460	95

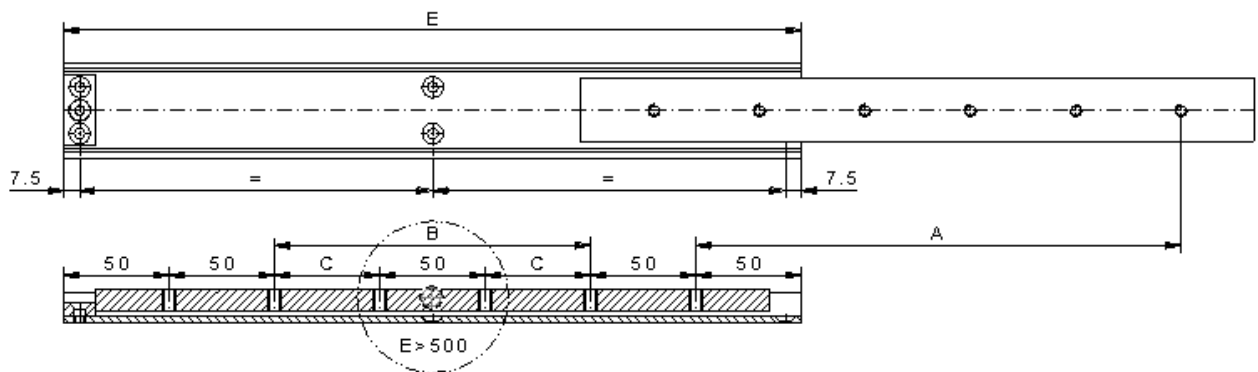
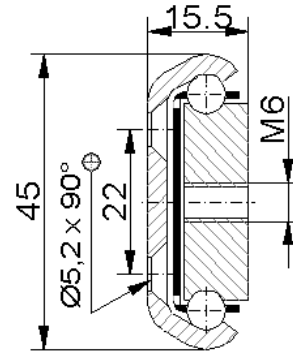
telescopic slide HG45T

basic type:

- side mounting
- part extension
- zinc-plated steel
- fixing holes

costum-made product:

- special lengths
- holes / hole center distances
- additional mounting elements
- combinations



installation length	length			hole pattern		weight	travel length	load rating per pair
	2	B	C	1	2			
E	2	B	C	1	2	Kg	A	Kg
750	720		250	6	6	2,8	490	90
800	770		275	6	6	3,0	520	85
900	870		325	6	6	3,36	600	75
1000	970		375	6	6	3,73	660	65
1100	1070		425	6	6	4,1	720	55
1200	1170		475	6	6	4,5	800	45