

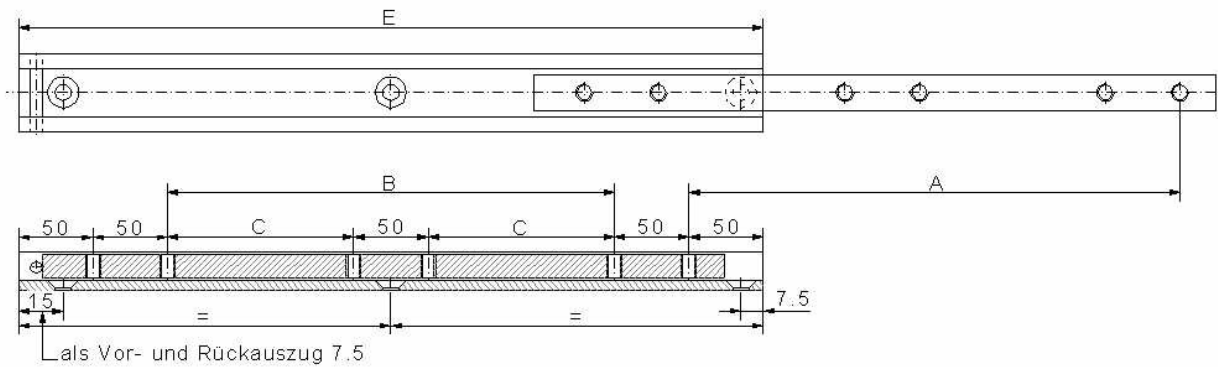
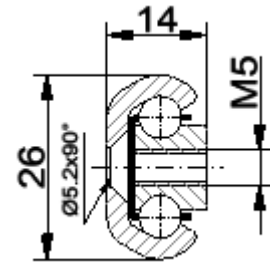
## telescopic slide HG26T

### basic type:

- side mounting
- part extension
- zinc-plated steel
- fixing holes

### costum-made product:

- special lengths
- holes / hole center distances
- additional mounting elements
- combinations



installation length	length		hole pattern		weight	travel length	load rating per pair	
	2	B	C	1				2
E (1)	2	B	C	1	2	Kg	A	Kg
200	179			2	2	0,35	115	65
250	229	50		3	4	0,44	130	70
300	279	100		3	4	0,53	180	75
350	329	150		3	4	0,62	230	75
400	379	200		3	4	0,71	260	70
450	429	250		3	4	0,8	310	65
500	479	300		3	4	0,9	340	60
550	529		150	3	6	1,0	370	55
600	579		175	3	6	1,08	400	50
650	629		200	3	6	1,67	430	45
700	679		225	3	6	1,26	460	40