

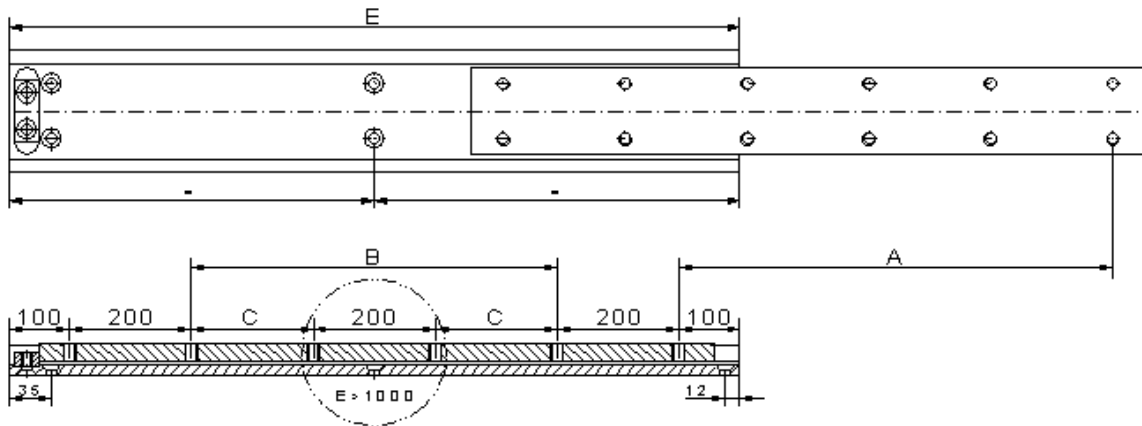
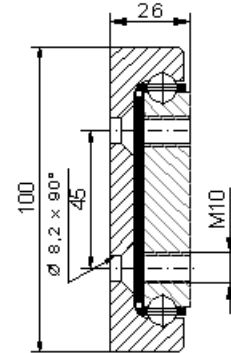
## telescopic slide HG10

### basic type:

- side mounting
- part extension
- zinc-plated steel
- fixing holes

### costum-made product:

- special lengths
- holes / hole center distances
- additional mounting elements
- combinations



installation length	length			hole pattern		weight	travel length	load rating per pair
	2	B	C	1	2			
E	2	B	C	1	2	Kg	A	Kg
700	654	100		4	8	11,9	420	900
800	754	200		4	8	13,6	480	1000
900	854	300		4	8	15,3	540	950
1000	954	400		4	8	17,0	600	900
1100	1054		100	6	12	18,7	660	850
1200	1154		200	6	12	20,4	720	800
1300	1254		250	6	12	22,1	780	750
1400	1354		300	6	12	23,8	840	690
1500	1454		350	6	12	25,5	900	630
1600	1554		400	6	12	27,2	960	570
1700	1654		450	6	12	28,9	1020	510
1800	1754		500	6	12	30,6	1080	450