

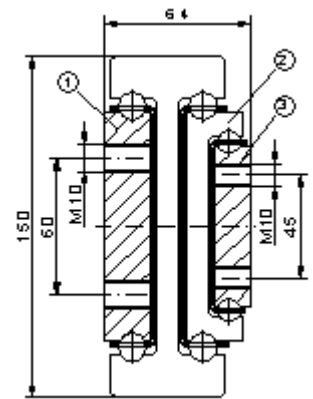
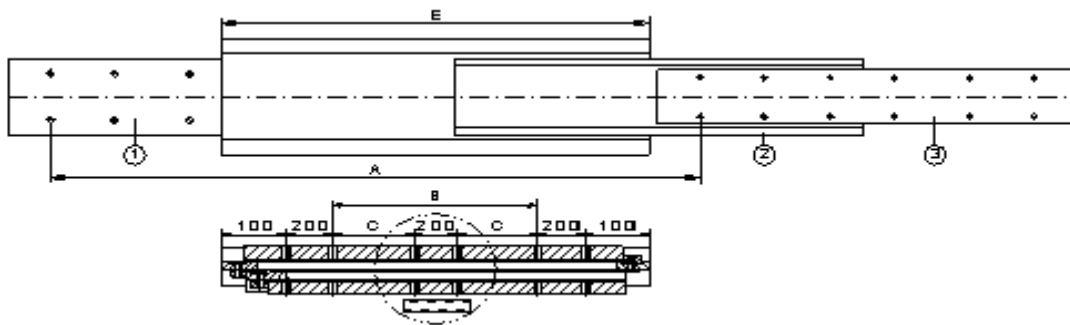
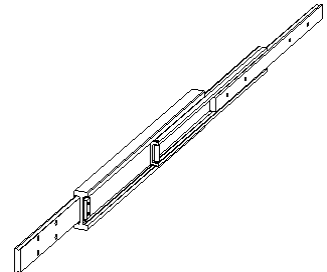
## telescopic slide HGT150Ü

### basic type:

- side mounting
- over travel/extension
- zinc-plated steel
- fixing holes

### costum-made product:

- special lengths
- holes / hole center distances
- additional mounting elements
- combinations



installation length	length		hole pattern		weight	travel length	load rating per pair
	B	C	1	3			
E	B	C	1	3	Kg	A	Kg
800	200		8	8	43,3	1200	750
850	250		8	8	46,0	1275	720
900	300		8	8	48,7	1350	680
950	350		8	8	51,4	1425	640
1000	400		8	8	54,1	1500	600
1100		150	12	12	59,5	1650	560
1200		200	12	12	65,0	1800	520
1300		250	12	12	70,3	1950	480
1400		300	12	12	75,7	2100	440
1500		350	12	12	81,1	2250	400
1600		400	12	12	86,6	2400	360
1700		450	12	12	92,0	2550	325
1800		500	12	12	97,4	2700	290
1900		550	12	12	102,8	2850	260
2000		600	12	12	108,2	3000	230