

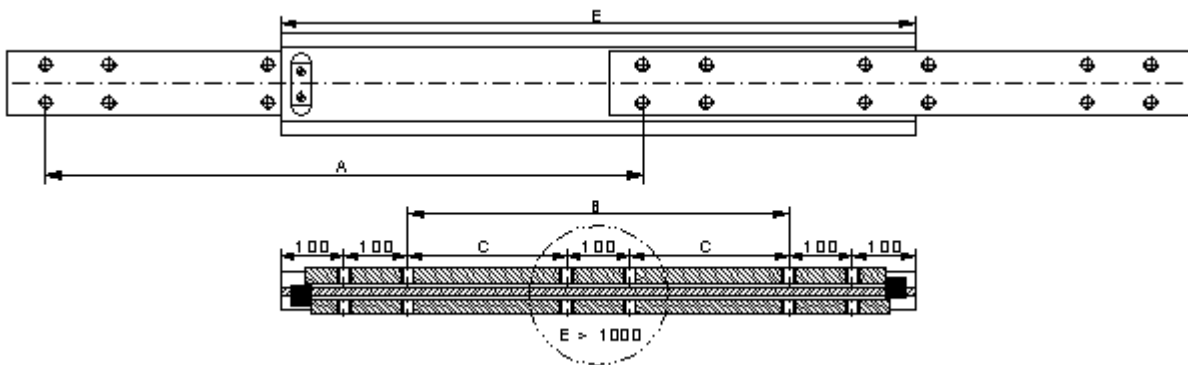
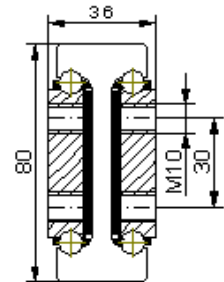
telescopic slide HGT 80

basic type:

- side mounting
- full extension
- zinc-plated steel
- fixing holes

costum-made product:

- special lengths
- holes / hole center distances
- additional mounting elements
- combinations



installation length	length		hole pattern		weight	travel length	load rating per pair
	B	C	1	2			
E	B	C	1	2	Kg	A	Kg
500	100		8	8	8,8	500	900
550	150		8	8	9,6	550	925
600	200		8	8	10,5	600	935
650	250		8	8	11,4	650	920
700	300		8	8	12,3	700	905
750	350		8	8	13,1	750	880
800	400		8	8	14,0	800	860
850	450		8	8	14,9	850	835
900	500		8	8	15,8	900	810
950	550		8	8	16,6	950	785
1000	600		8	8	17,5	1000	755

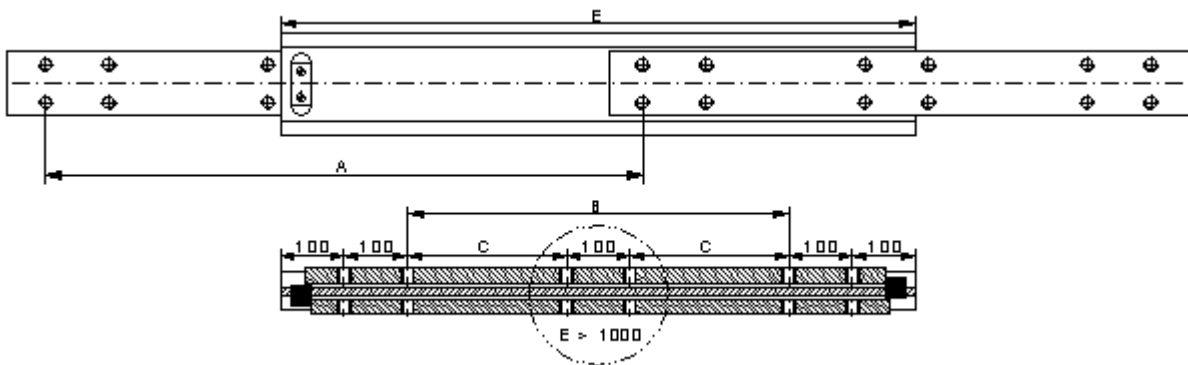
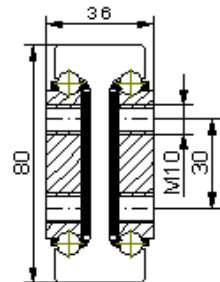
telescopic slide HGT 80

basic type:

- side mounting
- full extension
- zinc-plated steel
- fixing holes

costum-made product:

- special lengths
- holes / hole center distances
- additional mounting elements
- combinations



installation length	length		hole pattern		weight	travel length	load rating per pair
	B	C	1	2			
E					Kg	A	Kg
1100		300	12	12	19,3	1100	715
1200		350	12	12	21,0	1200	670
1300		400	12	12	22,8	1300	620
1400		450	12	12	24,5	1400	570
1500		500	12	12	26,3	1500	520
1600		550	12	12	28,0	1600	460
1700		600	12	12	29,8	1700	410
1800		650	12	12	31,5	1800	360
1900		700	12	12	33,3	1900	300
2000		750	12	12	35,0	2000	250