

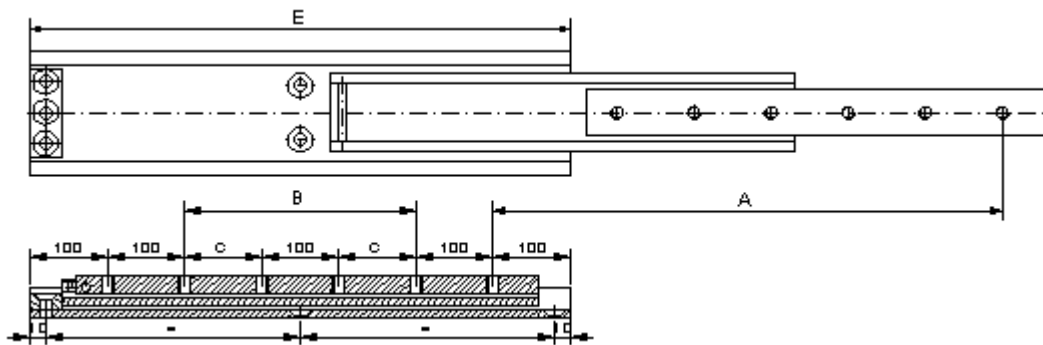
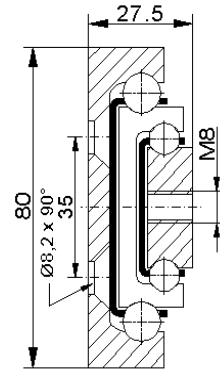
telescopic slide HG80

basic type:

- side mounting
- full extension
- zinc-plated steel
- fixing holes

costum-made product:

- special lengths
- holes / hole center distances
- additional mounting elements
- combinations



installation length	length				hole pattern		weight	travel length	load rating per pair
	2	3	B	C	1	2			
E	2	3	B	C	1	2	Kg	A	Kg
500	460	450	100		4	4	5,70	500	335
550	510	500	150		4	4	6,27	550	340
600	560	550	200		6	4	6,84	600	345
650	610	600	250		6	4	7,41	650	350
700	660	650	300		6	4	8,0	700	345
750	710	700	350		6	4	8,55	750	340
800	760	750		150	6	6	9,12	800	335
850	810	800		175	6	6	9,7	850	330
900	860	850		200	6	6	10,3	900	325
1000	960	950		250	6	6	11,4	1000	310

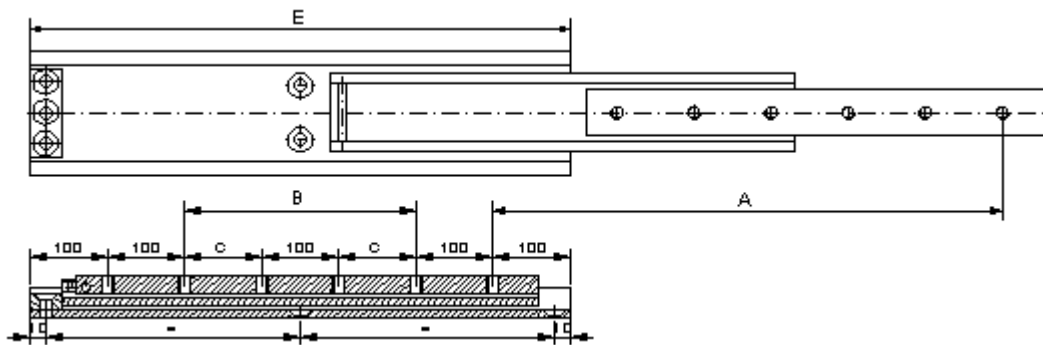
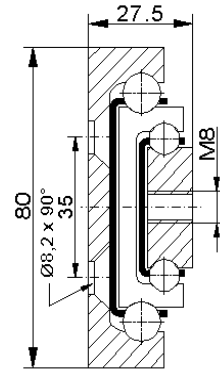
telescopic slide HG80

basic type:

- side mounting
- full extension
- zinc-plated steel
- fixing holes

costum-made product:

- special lengths
- holes / hole center distances
- additional mounting elements
- combinations



installation length	length				hole pattern		weight	travel length	load rating per pair
	2	3	B	C	1	2			
E							Kg	A	Kg
1100	1060	1050		300	6	6	12,5	1100	300
1200	1160	1150		350	6	6	13,7	1200	290
1300	1260	1250		400	6	6	14,8	1300	280
1400	1360	1350		450	6	6	15,9	1400	270
1500	1460	1450		500	6	6	17,1	1500	260
1600	1560	1550		550	6	6	18,2	1600	245
1700	1660	1650		600	6	6	19,4	1700	225
1800	1760	1750		650	6	6	20,5	1800	205
1900	1860	1850		700	6	6	21,6	1900	180
2000	1960	1950		750	6	6	22,8	2000	160